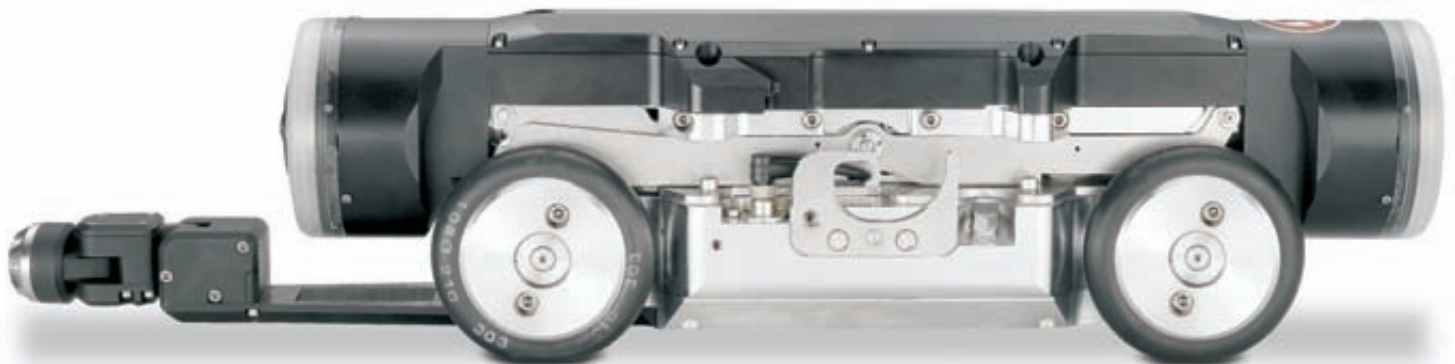
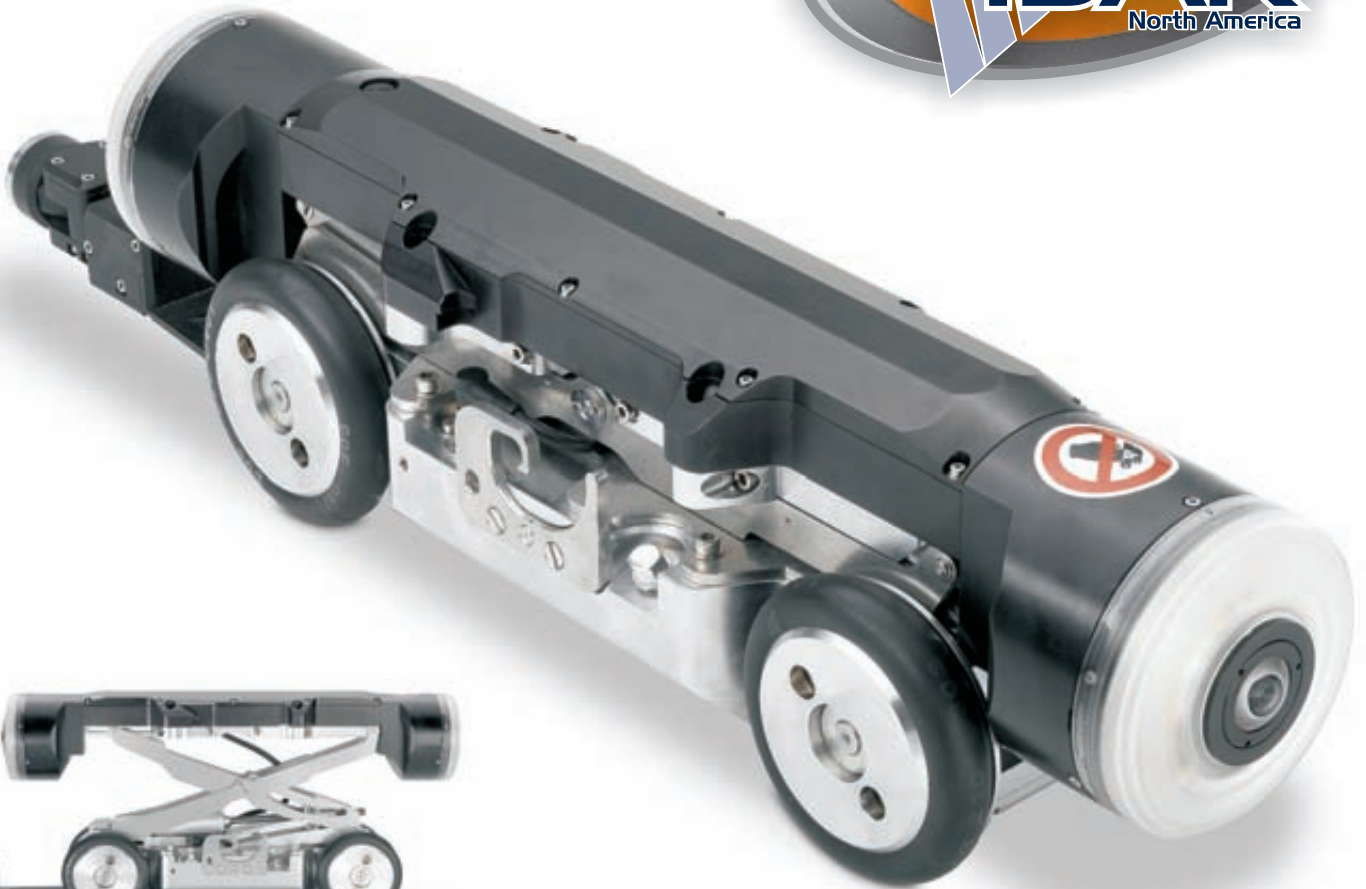


Revolutionary Pipeline and Manhole Inspection Systems

They will change the way you inspect your infrastructure!



Past Proven. **Future Ready.**

PANORAMO

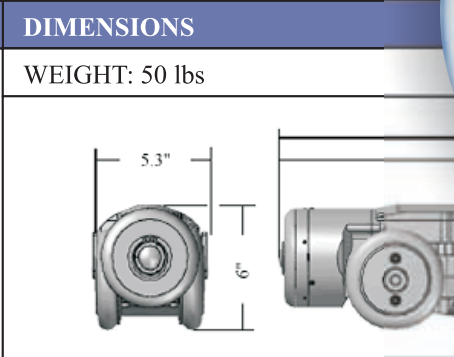
Revolutionary Pipeline and Manhole Inspection Systems

They will change the way you inspect your infrastructure!

New PANORAMO SI
Manhole Inspection System!



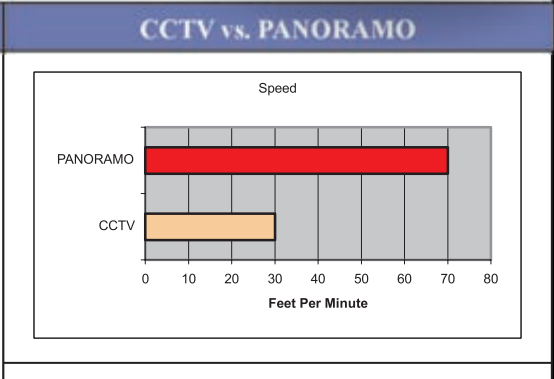
- BENEFITS**
- ▶ Fully digital system
 - ▶ Inspect for 30% less \$\$\$
 - ▶ Inspect 3X more per day
 - ▶ 5X the image resolution
 - ▶ 100% pipe wall coverage
 - ▶ Virtual 360° pan & tilt camera
 - ▶ No external moving parts



“My crew went from inspecting 1,500 per day with our old CCTV system to more than 5,000 feet per day with the new PANORAMO”

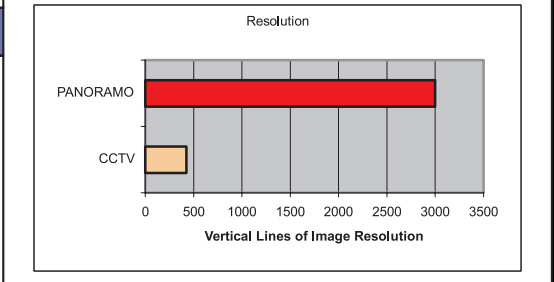
MAINTENANCE COST

“PANORAMO has the lowest maintenance cost on any inspection system on the market today. With little to no moving parts (except for wheels), there is very little wear on the system components. After 1 year of operation, only the strobe lights and wheel seals needed serviced. The maintenance cost was significantly less than our CCTV system.”

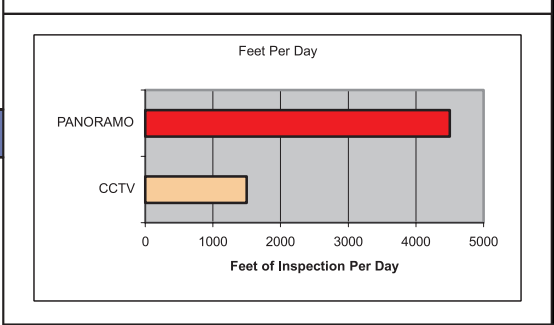


MOTION BLUR

“PANORAMO does one thing better than any other camera system, producing high quality images. With the intense strobe lighting, there is very little movement per image or frame due to a short exposure. When tested at 70 feet per minute and compared to CCTV moving at 30 feet per minute, motion blur was 60 times less with PANORAMO.”

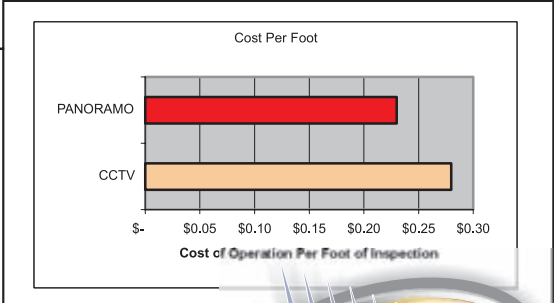


PANORAMO is designed to collect data in the field fast and efficiently while allowing observation coding in the office at a fraction of the cost.



OTHER SPECIFICATIONS

Picture Sequence – 1 spherical picture / 2”	Resolution – 3000 lines by 500 lines
Zoom – Digital	Upright Picture – Always upright
Field of View – 360°	Range of Rotation - 360°
Range of Tilt - 360°	Traveling Speed – 70 feet per minute
Lighting – Xenon Strobes	Camera Cable – Fiber Optic
Software - WinCan and PipeLogix	Minimum Diameter – 8” Lined



Typical Comparison of Data Analyzed By PANORAMO as Compared To CCTV

	Length of Sewer	
	CCTV	PANORAMO
	12,640 Feet (100 Segments)	
Defects Detected	1379	2047
i.e. cracks	154	359
Daily Output	990 Ft	2530 Ft

DEFECT DETECTION

www.rapidview.com 800-656-4225

